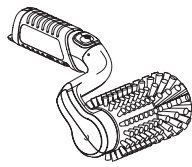
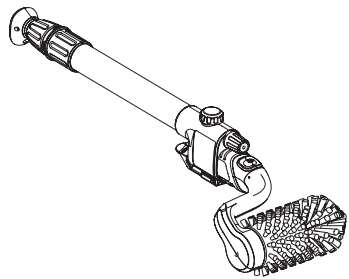




ScumBuster™ XTREME

INSTRUCTION MANUAL



Catalog Number:
S700E Including S700
Scrubbing Unit

THANK YOU FOR CHOOSING BLACK & DECKER!
GO TO WWW.BLACKANDDECKER.COM/NEWOWNER
TO REGISTER YOUR NEW PRODUCT.

**BEFORE RETURNING THIS PRODUCT
FOR ANY REASON PLEASE CALL
1-800-544-6986**

BEFORE YOU CALL, HAVE THE CATALOG No. AND DATE CODE AVAILABLE. IN MOST CASES, A BLACK & DECKER REPRESENTATIVE CAN RESOLVE THE PROBLEM OVER THE PHONE. IF YOU HAVE A SUGGESTION OR COMMENT, GIVE US A CALL. YOUR FEEDBACK IS VITAL TO BLACK & DECKER.

Key Information You Should Know

- Use only Household Cleaners that are “water like”. Do not use cleaners with pine agents or other oil based products.
- When immersing scrubber in water, DO NOT cover the unit with more than 3 feet (1 meter) of water. Do not leave the Scrubber immersed for more than 30 minutes.

SAVE THIS MANUAL FOR FUTURE REFERENCE.

CONSERVER LE PRÉSENT GUIDE À TITRE DE RÉFÉRENCE.

VEA EL ESPAÑOL EN LA CONTRAPORTADA.

INSTRUCTIVO DE OPERACIÓN, CENTROS DE SERVICIO Y PÓLIZA DE GARANTÍA.
ADVERTENCIA: LÉASE ESTE INSTRUCTIVO ANTES DE USAR EL PRODUCTO.

Catalog Number: S700E FORM NO. 90520668
Copyright © 2007 Black & Decker

PRINTED IN CHINA
MAY '07

⚠ WARNING: Important Safety Warnings and Instructions

When using electrical appliances, basic safety precautions should always be followed, including the following:
PLEASE READ AND UNDERSTAND ALL INSTRUCTIONS CAREFULLY BEFORE USING THE UNIT.

⚠ WARNING: Some cleaning products contain chemicals known to the State of California to cause cancer, birth defects or other reproductive harm. When using Scrubber, be sure to read cleaning product labels for any Proposition 65 warnings. Follow directions on containers of all such products.

⚠ WARNING: INSTRUCTIONS PERTAINING TO A RISK OF FIRE, ELECTRIC SHOCK, OR INJURY TO PERSONS

- Close supervision is necessary when any appliance is used by or near children. Do not allow to be used as a toy.
- Never spray towards your face or in the direction of another person.
- Never place your mouth on the nozzle or attempt to prime the sprayer by sucking through the nozzle.
- DO NOT SPRAY GASOLINE, SOLVENTS, ACIDS, CAUSTICS, POISONS, OILS, FLAMMABLE LIQUIDS OR SIMILAR PRODUCTS. Personal injury could result from burns, fire, or inhalation of or contact with such liquids.
- To protect against risk of electrical shock, do not put Battery Charger in water or other liquid.
- Do not operate in the presence of explosives and/or flammable fumes or liquids.
- Always use proper eye protection when using the Scrubber with irritating substances. You may also want to use rubber gloves. Read and follow manufacturer's instructions on the cleaning product you use.
- Always store unit indoors.
- Keep hair, loose clothing, and all parts of body away from moving parts.
- Do not insert attachments/accessories while unit is running.
- Do not use or immerse unit without Charging Port Plug in place.
- Store out of reach of children.
- This appliance is intended for household use only and not for commercial or industrial use.
- Use only as described in this manual. Use only Black & Decker recommended attachments.

SAFETY GUIDELINES - DEFINITIONS

It is important for you to read and understand this manual. The information it contains relates to protecting YOUR SAFETY and PREVENTING PROBLEMS. The symbols below are used to help you recognize this information.

⚠ DANGER: Indicates an imminently hazardous situation which, if not avoided, will result in death or serious injury.

⚠ WARNING: Indicates a potentially hazardous situation which, if not avoided, could result in death or serious injury.

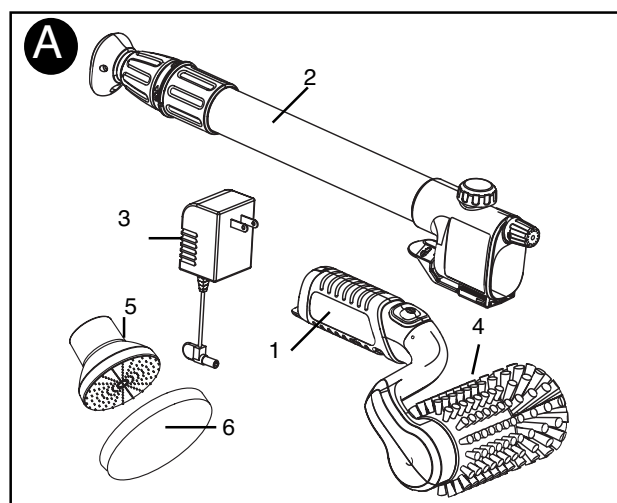
⚠ CAUTION: Indicates a potentially hazardous situation which, if not avoided, may result in minor or moderate injury.

CAUTION: Used without the safety alert symbol indicates a potentially hazardous situation which, if not avoided, may result in property damage.

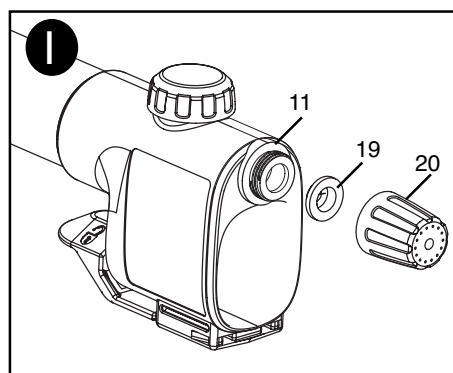
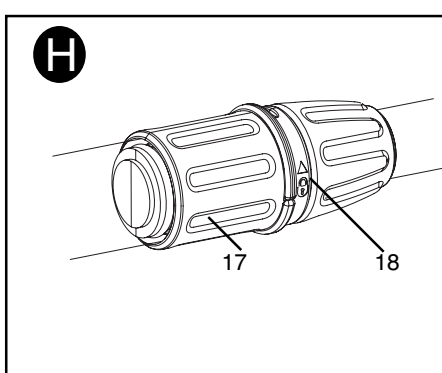
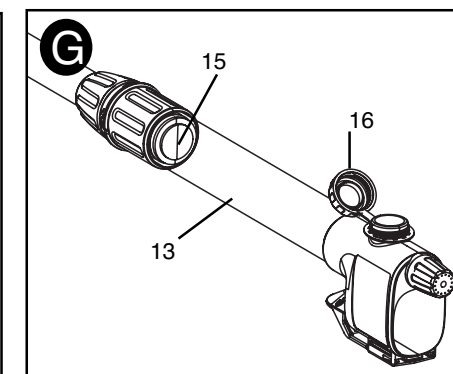
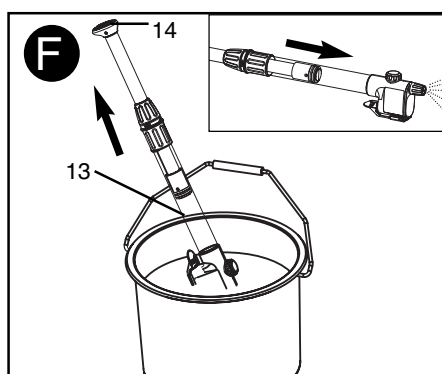
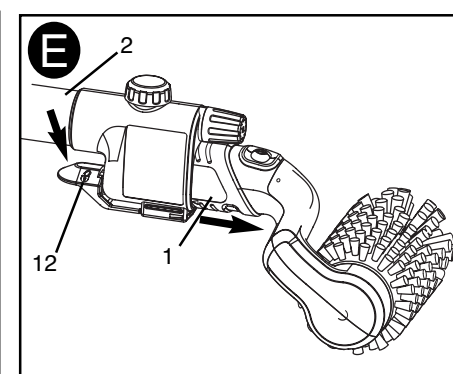
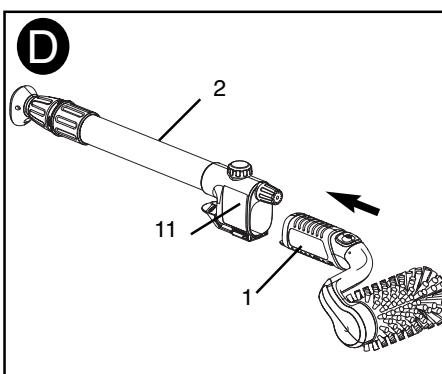
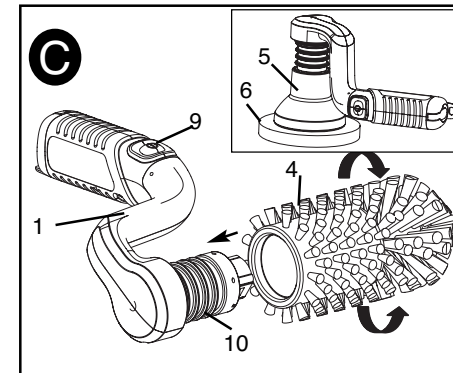
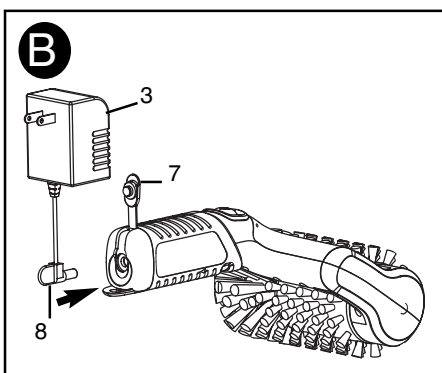
Important Safety Instructions for the Battery And Charger

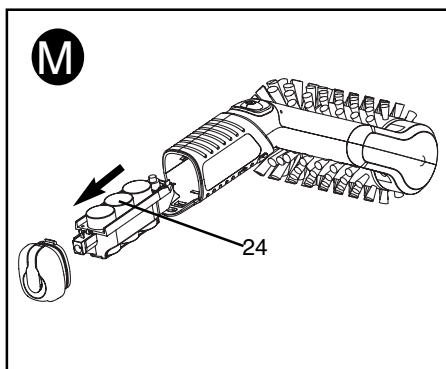
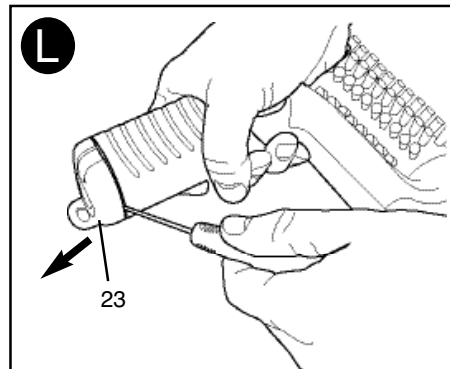
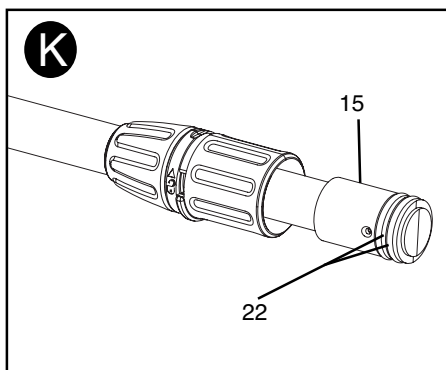
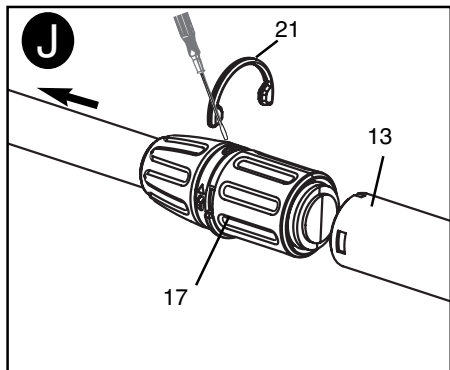
- Do not charge a battery if it is wet or shows any evidence of corrosion.
- Do not incinerate the battery. It can explode in a fire. A small leakage from the battery cell may occur under extreme usage, charging, or temperature conditions. This does not indicate a failure. However, if the outer seal is broken and this leakage gets on your skin: Wash quickly with soap and water or neutralize with a mild acid such as lemon juice or vinegar, if the liquid gets into the eyes, flush them immediately with clean water for a minimum of 10 minutes. Seek medical attention.
- NOTE:** The liquid is a 20-35% solution of potassium hydroxide.
- Do not use an extension cord. Plug the Charger directly into an electrical outlet.
- Use the Charger only in a standard electrical outlet (120V/60Hz).
- Do not attempt to use this charger with any other product; do not attempt to charge this product with any other charger. Use only the charger supplied by the manufacturer to recharge.
- Do not use Charger in wet or damp conditions. It is intended for indoor use only. Do not use the Charger near sinks, or tubs. Do not immerse in water.
- Do not allow the cord to hang over the edge of a table or counter or touch hot surfaces. The Charger should be placed away from sinks and hot surfaces.
- Do not operate Charger with damaged cord or plug — have them replaced immediately.
- Do not operate Charger if it has received a sharp blow, been dropped, or otherwise damaged in any way. Return the appliance to any authorized service facility for examination, repair, or electrical or mechanical adjustment. Do not disassemble Charger.
- For best results, do not charge a battery when it or air temperature is BELOW 40°F (5°C) or above 105°F (40°C).
- Unplug the Charger when not in use and before cleaning or maintenance.
- Do not abuse the cord. To reduce the risk of damage to the electric plug or cord, never carry the Charger by its cord or yank the cord to disconnect; instead, grasp the Charger plug and pull to disconnect. Keep Charger cord away from heat, oil, and sharp edges.
- The charger supplied with this product is intended to be plugged in such that it is correctly orientated in a vertical or floor mount position.

SAVE THESE INSTRUCTIONS



1. Scrubber
2. Extension Handle
3. Battery Charger
4. Roller Brush
5. Pad Holder
6. Coarse Scrubber Pad - light blue





Before First Use and Tips

- The battery is not fully charged when packed in the carton. Charge the battery for at least 16 hours before first use. See "Charging the Battery".

Charging the Battery: (Fig. B)

When disconnecting the Scrubber from the charger, be sure to unplug the charger from the outlet first, then disconnect the charger cord from the Scrubber. The tool can be left on charge for as long as you desire, a minimum charge of 16 hours is required to recharge a completely discharged tool.

- Remove the Charging Port Plug (9) on the end of the handle. Plug in the Output Cord (10) of the Battery Charger (5) into the socket in the back of the Scrubber.
- Plug the Battery Charger into a wall plug. The red indicator light on the Battery Charger will come ON indicating that the battery is charging. This light will remain Red as long as the unit is connected to the charger. While charging, the Battery Charger may hum and feel warm to touch. This is normal.
- If battery does not charge properly:
 - check the current at the outlet by plugging in a lamp or other appliance there to see if it will work,
 - see if the outlet is connected to a wall switch which controls the power,
 - move the Battery Charger and battery to a surrounding air temperature of +40°F (5°C) to 105°F (40°C).
- After charging replace the Charging Port Plug (9).
- DO NOT CONTINUE TO USE THE Scrubber with a depleted battery. The user should never attempt to remove the Scrubber Handle Cap except to recycle the Battery. The removal of the Scrubber Handle Cap will affect the operation of the unit.

INSTALLATION INSTRUCTIONS

Accessories: (Fig. C)

⚠ WARNING: Do not install/remove accessory or extension handle while unit is running. To turn ON/ OFF the Scrubber push on and release Switch Button (9).

NOTE: Some accessories may not be included in your model. Refer to product packaging for contents. Additional accessories are available at local retailers or by calling, toll-free 1-800-544-6986.

Attaching Roller Brush (4) or Pad Holder (5) Accessories: (Fig. C)

Insert the Accessory (4 or 5) over the Scrubber Gearbox (10). While slightly pushing, rotate the Accessory (4 or 5) either direction until it engages with the Scrubber Gearbox (10). You will hear a "click" sound when the Accessory (4 or 5) will be fully engaged with the Scrubber Gearbox (10). To remove, pull the Accessory (4 or 5) off the Scrubber Gearbox (10).

Attaching Scrubber Pad (6): (Fig. A)

Attach Scrubber Pad (6) to the Pad Holder (5) by fixing one of the Scrubber Pad face to the Pad Holder Hook-and-Loop surface.

Attaching Scrubber to Extension Handle: (Fig. D & Fig. E)

To install the Scrubber (1) to the Extension Handle (2), insert the Scrubber Handle into the Extension Handle Clamp (11) until you hear a "click" sound. To remove the Scrubber (1) from the Extension Handle (2) push down on the Extension Handle Lever (12) and at the same time pull the Scrubber (1) out of the Extension Handle Clamp (11).

OPERATING INSTRUCTIONS

How to Operate the Scrubber: (Fig. C)

To turn ON/ OFF the Scrubber push on and release Switch Button (9).

Always firmly hold the Scrubber by the handle when operating the unit.

IMPORTANT: The Scrubber has been designed for easy, powerful cleaning. If you are uncertain about its use on a surface, test an attachment on a small inconspicuous area before cleaning larger areas.

- Always follow manufacturer's recommendations when using a chemical cleaner such as sprays, foams, rub-on gels, liquid detergents, or bleach solutions.
- Do not use with abrasive cleaners on any surface or in the unit.
- Always wear rubber gloves and protective eye wear (to avoid splatter) when using irritating cleaners.

To avoid splatter from a Brush or Pad, turn the Scrubber OFF while the attachment is still in contact with the surface.

Important:

If some water leaks into the unit, it will not affect performance. However, should the unit accidentally fall into water without the Charging Port Plug in place, shake out loose liquid and allow to air dry overnight.

Extension Handle

⚠ WARNING: Always firmly hold the Extension Handle with your two hands when using the Extension Handle. Never spray towards your face or in the direction of another person.

Using Extension Handle as a Rinsing Tool: (Fig. F)

With the Extension Handle fully collapsed; submerge the Nozzle in a pail or bathtub filled with water. Hold the Extension Handle Tube (13) with one hand and at the same time pull on the Extension Handle Grip (14) with the other hand to draw water into the Extension Handle. To expel the water out of the Extension Handle, hold the Extension Handle Tube (13) with one hand and at the same time push on the Extension Handle Grip (14) with the other hand.

Using Extension Handle to Spray Cleaning Chemical: (Fig. G)

You should always fill and empty the Extension Handle over a sink or bathtub in case of spillage. Clean exterior of the unit and flush the Extension Handle with clear water before filling with a different cleaning solution. DO NOT MIX Cleaning Solutions. Read and follow manufacturer's instructions on the cleaning product you use.

NOTE! Only fill Extension Handle with "water like" household approved cleaning solutions that can be used in hand pump dispensers. Do not use cleaners with pine agents or other oil based products. Other thicker cleaning products such as Gels and Soft Scrubs can be applied directly to the surface being cleaned from the container they were purchased in but can not be dispensed from the Extension Handle as they will clog the system.

With the Extension Handle fully extended as shown by the position of the Extension Handle Piston (15) unscrew the Fill Cap (16) and fill the Extension Handle Tube (13) with the cleaning chemical of your choice following manufacturer's instructions. When the unit is filled to the level you judge appropriate re-screw the Fill Cap (16) in place and hand tighten. To expel the cleaning chemical out of the Extension Handle hold the Extension Handle Tube (13) with one hand and at the same time push on the Extension Handle Grip (14) with the other hand.

Using Extension Handle to Extend Reach: (Fig. H)

Adjust the Extension Handle position by holding the Extension Handle Tube (13) with one hand and at the same time push or pull the Extension Handle Grip (14) with the other hand until you reach the desired length. Lock the Extension Handle in position by holding the Fixed Collar (17) in place with one hand while screwing the Locking Collar (18) with the other hand following the locking direction shown by the Fixed Collar Arrow. Hand tighten the Locking Collar (18) and ensure that the Extension Handle Grip (14) can not easily move from its locked position. Re-tighten Locking Collar (18) if movement occurs. To change the Extension Handle Grip (14) position; unscrew the Locking Collar (18) and locate the Extension Handle Grip (14) at the new desired position. Repeat previous steps to lock the Extension Handle.

Accessories: (Fig. A)

Roller Brush (4): For aggressive area cleaning on ceramic tile walls, floors, backsplash, fiberglass and hard plastic surfaces.

Pad Holder (5): Adapter to be used with scrubber pads.

Coarse Scrubber Pad (6) – (light blue): For aggressive scrubbing of larger surfaces such as ceramic tile and porcelain or enamel tubs and sinks.

USER MAINTENANCE INSTRUCTIONS

Cleaning and Storage

NOTE! For best performance, empty and thoroughly rinse the Extension Handle before storing. Do this by filling the Extension Handle with water and emptying as normal 1 or 2 times. Thoroughly clean the Brushes and/or Scrub Pads after each use.

- Clean the Brushes and Scrub Pads in a mild detergent, rinse with water and air dry.
- To clean the Scrubber and Extension Handle, wipe with a damp sponge and a mild soap.
- Store the Scrubber and attachments/accessories indoors.

Cleaning the Extension Handle Nozzle: (Fig. I)

- Remove the Extension Handle Nozzle (20) by unscrewing it counter clockwise.
- Keep the valve (19) aside for its re-installation later on.
- Soak the Extension Handle Nozzle (20) in a mixture of 1 part vinegar with 3 parts water for 1/2 hour. Make sure the Extension Handle Nozzle holes are clear of deposits. If not, carefully clear the holes using a fine needle.
- Replace the Valve (19) into the hole in the end of the Extension Handle Clamp (11) with the male side of the Valve (19) facing the interior of the Extension Handle Clamp (11). Screw the Nozzle (20) in place and hand tighten.

Reducing Extension Handle Piston Resistance: (Fig. J & Fig. K)

Over time the Extension Handle Piston may not travel as smoothly as when first used. To remedy to this problem follow the steps below:

- Remove any liquid present inside the Extension Handle.
- Using a small flat head screw driver pry out the C-Clip (21).
- Hold Extension Handle Tube (13) with one hand while pulling Extension Handle Grip (14) with the other hand until the Extension Handle Tube (13) separates from the rest of the assembly.
- Move forward the Extension Handle Piston (15) to lubricate the O-rings (22) using petroleum jelly.
- To re-install, insert Extension Handle Piston (15) into the Extension Handle Tube (13). Note: Do not allow the O-rings to come out of their grooves when inserting the Extension Handle Piston (15). Damage could occur. Insert the Extension Handle Tube (13) inside the Fixed Collar (17) until the side slots from the Fix Collar (17) and Extension Handle Tube (13) aligned. Re-install the C-Clip (21).
- With the Extension Handle fully extended, verify that Extension Handle Tube (13) is locked in place by holding the Extension Handle Tube (13) with one hand while pulling Extension Handle Grip (14) with the other hand. If the Extension Handle Tube (13) does not move it means that it is secured in place.

TROUBLESHOOTING GUIDE

Problem	Possible Reason	Possible Solution
Scrubber does not operate	1. Battery not charged 2. Charger plug installed into unit	1. Charge batteries 2. Remove charger plug from Scrubber
Scrubber does not charge	1. No current at outlet 2. Outlet operated by a switch	1. Use different outlet 2. Turn on switch
Extension Handle Piston does not draw or has difficulties drawing in water	1. Extension Handle Nozzle not inserted deep enough in water 2. Locking Collar not loose enough 3. Leak at Extension Handle Nozzle 4. Leak at Fill Cap 5. Extension Handle Nozzle clogged 6. O-rings need lubrication 7. O-rings damaged	1. Add water in pail or bathtub 2. Loosen Locking Collar 3. Hand tighten Extension Handle Nozzle 4. Hand tighten Fill Cap 5. Clean Extension Handle Nozzle 6. Lubricate O-rings 7. Call Customer Service
Extension Handle Piston does not expel or has difficulties expelling liquid	1. Locking Collar not loose enough 2. Extension Handle Nozzle clogged 3. O-rings need lubrication 4. O-rings damaged	1. Loosen Locking Collar 2. Clean Extension Handle Nozzle 3. Lubricate O-rings 4. Call Customer Service

Battery Removal and Disposal

This product uses a nickel-cadmium (Ni-Cad) rechargeable and recyclable battery. When it can no longer be recharged, it should be removed from the unit and recycled. The battery must not be incinerated or composted. The battery can be taken for disposal to a Black & Decker Inc. Company-Owned or Authorized Service center. There are also some local retailers who are participating in a national recycling program (see "RBRC Seal"). Call your local retailer for details. If you bring the old battery to a Black & Decker Company Owned or Authorized Service Center, the Center will arrange for recycling it. Or, if you wish, contact your local municipality for proper disposal instructions in your city/town.

Battery Removal: (Fig. L & Fig. M)

⚠ WARNING: When prying off Scrubber Handle Cap use proper eye protection and be aware of hand position should screwdriver slip.

To remove the battery pack for disposal, insert a flat Screwdriver at the split between the Scrubber Handle Cap (23) and the Scrubber Handle. Snap the Scrubber Handle Cap (23) off by prying in the direction shown by the arrow. Additional prying may be needed at the opposite side of the handle. Slide the Battery Pack (24) out of the Scrubber and dispose of Battery Pack (24) as noted above. Once removed the Battery Pack can not be refitted.

The RBRC™ Seal

The RBRC™ (Rechargeable Battery Recycling Corporation) Seal on the nickel-cadmium battery (or battery pack) indicates that the costs to recycle the battery (or battery pack) at the end of its useful life have already been paid by Black & Decker. In some areas, it is illegal to place spent nickel-cadmium batteries in the trash or municipal solid waste stream and the RBRC program provides an environmentally conscious alternative.



RBRC in cooperation with Black & Decker and other battery users, has established programs in the United States and Canada to facilitate the collection of spent nickel-cadmium batteries. Help protect our environment and conserve natural resources by returning the spent nickel-cadmium battery to an authorized Black & Decker service center or to your local retailer for recycling. You may also contact your local recycling center for information on where to drop off the spent battery, or call **1-800-8-BATTERY**.

Service Information

All Black & Decker Service Centers are staffed with trained personnel to provide customers with efficient and reliable power tool service. Whether you need technical advice, repair, or genuine factory replacement parts, contact the Black & Decker location nearest you. To find your local service location, refer to the yellow page directory under "Tools—Electric" or call: **1-800-544-6986** or visit www.blackanddecker.com

Full Two-Year Home Use Warranty

Black & Decker (U.S.) Inc. warrants this product for two years against any defects in material or workmanship. The defective product will be replaced or repaired at no charge in either of two ways.

The first, which will result in exchanges only, is to return the product to the retailer from whom it was purchased (provided that the store is a participating retailer). Returns should be made within the time period of the retailer's policy for exchanges (usually 30 to 90 days after the sale). Proof of purchase may be required. Please check with the retailer for their specific return policy regarding returns that are beyond the time set for exchanges.

The second option is to take or send the product (prepaid) to a Black & Decker owned or authorized Service Center for repair or replacement at our option. Proof of purchase may be required. Black & Decker owned and authorized Service Centers are listed under "Tools—Electric" in the yellow pages of the phone directory.

This warranty does not apply to accessories. This warranty gives you specific legal rights and you may have other rights which vary from state to state or province to province. Should you have any questions, contact the manager of your nearest Black & Decker Service Center. This product is not intended for commercial use.

FREE WARNING LABEL REPLACEMENT: If your warning labels become illegible or are missing, call **1-800-544-6986** for a free replacement.

Black & Decker (U.S.) Inc.,
701 E. Joppa Rd.
Towson, MD 21286 U.S.A.



BlackandDecker.com
1-800-544-6986

See "Tools—Electric"
— Yellow Pages —
for Service & Sales



GUIDE D'UTILISATION

Numéro de catalogue S700E, y compris le récurage S700

MERCI D'AVOIR CHOISI BLACK & DECKER !
VISITEZ WWW.BLACKANDDECKER.COM/NEWOWNER
POUR ENREGISTRER VOTRE NOUVEAU PRODUIT.

AVANT DE RETOURNER CE PRODUIT POUR QUELQUE
RAISON QUE CE SOIT, COMPOSER LE
1-800-544-6986

AVANT D'APPELER, AYEZ EN MAIN LE N° DE CATALOGUE ET LE CODE DE DATE. DANS LA PLUPART
DES CAS, UN REPRÉSENTANT DE BLACK & DECKER PEUT RÉSOUDRE LE PROBLÈME PAR
TÉLÉPHONE. SI VOUS AVEZ UNE SUGGESTION OU UN COMMENTAIRE, APPELEZ-NOUS. VOS
IMPRESSIONS SONT CRUCIALES POUR BLACK & DECKER.

Voici des renseignements importants qu'il vous faut connaître :

- Utiliser uniquement des produits domestiques de type « aqueux ». Ne pas utiliser de produits nettoyants contenant des agents à base de pin ou des produits à base d'huile.
- Lors de l'immersion de la brosseuse dans l'eau, ne pas couvrir l'appareil avec plus de 3 pieds (1 mètre) d'eau. Ne pas immerger la brosseuse pendant plus de 30 minutes.

CONSERVER CE MANUEL POUR UN USAGE ULTÉRIEUR.

⚠ AVERTISSEMENT : avertissements et directives de sécurité importants

Lors de l'utilisation d'appareils électriques, toujours respecter les mesures de sécurité de base, notamment les suivantes :

LIRE ATTENTIVEMENT ET COMPRENDRE TOUTES LES DIRECTIVES AVANT D'UTILISER L'APPAREIL.

⚠ AVERTISSEMENT : certains produits de nettoyage contiennent des produits chimiques reconnus par l'État de Californie comme pouvant causer le cancer, des anomalies congénitales ou d'autres problèmes liés aux fonctions reproductrices. Lors de l'utilisation de la brosseuse électrique, lire les étiquettes des produits nettoyants à la recherche de tout avertissement lié à la Proposition 65. Suivre les directives mentionnées sur les récipients de tels produits.

⚠ AVERTISSEMENT : DIRECTIVES RELATIVES À UN RISQUE D'INCENDIE, DE CHOC ÉLECTRIQUE OU DE BLESSURES À DES TIERS

- Exercer une étroite surveillance pour l'utilisation de tout appareil électrique par des enfants ou à proximité de ceux-ci. Interdire l'utilisation de l'appareil comme jouet.
- Ne jamais pulvériser un produit vers soi ou vers quiconque.
- Ne jamais mettre sa bouche sur la buse ni amorcer le pulvérisateur par aspiration de la buse.
- NE PAS PULVÉRISER D'ESSENCE, DE SOLVANT, D'ACIDE, DE SUBSTANCE CAUSTIQUE, DE POISON, D'HUILE, DE LIQUIDE INFLAMMABLE, OU TOUT AUTRE PRODUIT SEMBLABLE. Des blessures corporelles risquent de se produire en cas de brûlure, d'inhalation ou de contact avec ces produits.
- Pour réduire le risque de choc électrique, ne pas immerger le chargeur dans l'eau ou tout autre liquide.
- Ne pas utiliser l'appareil en présence de vapeurs ou de liquides explosifs ou inflammables.
- Toujours porter une protection oculaire adéquate lorsque la brosseuse est utilisée avec des substances irritantes. Utiliser également des gants en caoutchouc, le cas échéant. Lire et suivre les directives du fabricant à propos du produit nettoyant utilisé.
- Toujours ranger l'appareil à l'intérieur.
- Éloigner les cheveux, vêtements amples et toutes les parties du corps de tout composant mobile.
- Ne pas installer d'accessoires/pièces lorsque l'appareil fonctionne.
- Ne pas utiliser, ni immerger l'appareil si le bouchon du port de charge n'est pas en place.
- Ranger l'appareil hors de la portée des enfants.
- L'appareil électrique est conçu pour une utilisation domestique seulement et non commerciale ou industrielle.
- Utiliser l'appareil uniquement selon les indications données dans le présent manuel. Utiliser uniquement les accessoires recommandés par Black & Decker.

LIGNES DIRECTRICES EN MATIÈRE DE SÉCURITÉ - DÉFINITIONS

Il est important que vous lisiez et compreniez ce mode d'emploi. Les informations qu'il contient concernent VOTRE SÉCURITÉ et visent à ÉVITER TOUT PROBLÈME. Les symboles ci-dessous servent à vous aider à reconnaître cette information.

⚠ DANGER : Indique une situation dangereuse imminente qui, si elle n'est pas évitée, causera la mort ou des graves blessures.

⚠ AVERTISSEMENT : Indique une situation potentiellement dangereuse qui, si elle n'est pas évitée, pourrait causer la mort ou de graves blessures.

⚠ MISE EN GARDE : Indique une situation potentiellement dangereuse qui, si elle n'est pas évitée, pourrait causer des blessures mineures ou modérées.

MISE EN GARDE : Utilisé sans le symbole d'alerte à la sécurité, indique une situation potentiellement dangereuse qui, si elle n'est pas évitée, peut résulter en des dommages à la propriété.

Directives de sécurité importante pour la pile et le chargeur

- Ne pas charger une pile mouillée ou qui affiche des signes de corrosion.
- Ne pas incinérer la pile. Elle peut exploser dans un feu. Une petite fuite peut se produire dans la cellule de la pile en cas d'utilisation, de charge ou de conditions de température extrêmes. Cela n'indique pas de défaillance. Toutefois, si le joint d'étanchéité extérieur est rompu et que le liquide entre en contact avec la peau :
Laver rapidement à l'eau et au savon ou neutraliser avec un acide doux comme du jus de citron ou du vinaigre. Si le liquide atteint les yeux, les rincer immédiatement à l'eau claire pendant au moins 10 minutes. Consulter un médecin.
- **REMARQUE :** le liquide est composé d'une solution de 25 % à 35 % d'hydroxyde de potassium.
- Ne pas utiliser de rallonge. Brancher le chargeur directement dans la prise électrique.
- Le brancher seulement dans une prise électrique standard (120 v, 60 Hz).
- Ne pas utiliser le chargeur avec un autre produit et ne pas tenter de charger le produit avec un autre chargeur. Utiliser uniquement le chargeur fourni par le fabricant.
- Ne pas utiliser le chargeur dans des conditions mouillées ou humide. Il est conçu uniquement pour une utilisation à l'intérieur. Ne pas utiliser le chargeur près d'éviers ou de baignoires. Ne pas immerger dans l'eau.
- Ne pas laisser le cordon pendre sur le bord d'une table ou d'un comptoir, ni toucher des surfaces chaudes. Installer le chargeur loin d'éviers et de surfaces chaudes.
- Ne pas faire fonctionner le chargeur si la fiche ou le cordon est endommagé; les remplacer immédiatement.
- Ne pas faire fonctionner le chargeur s'il a reçu un choc violent, s'il est tombé ou s'il a été endommagé d'une façon ou d'une autre. Retourner l'appareil à tout centre de réparation autorisé pour évaluation, réparation ou un réglage électrique ou mécanique. Ne pas démonter le chargeur.
- Pour de meilleurs résultats, ne pas charger la pile si la pile ou la température ambiante est INFÉRIEURE à 5 °C (40 °F) ou supérieure à 40 °C (105 °F).
- Débrancher le chargeur lorsqu'il n'est pas utilisé et avant de le nettoyer ou l'entretenir.
- Ne pas utiliser le cordon de façon abusive. Pour réduire le risque de dommages à la fiche ou au cordon d'alimentation, ne jamais transporter le chargeur par le cordon ni tirer sur le cordon pour le débrancher. Saisir plutôt la fiche et tirer dessus pour débrancher le chargeur. Éloigner le cordon de la chaleur, de l'huile et des bords tranchants.
- Le chargeur fourni avec ce produit est correctement branché s'il est orienté en position verticale ou au plancher.

CONSERVER CES DIRECTIVES

Description fonctionnelle

1. Brosseuse
2. Manche-rallonge
3. Valve
4. Buse
5. Chargeur
6. Brosse à rouleaux
7. Porte-tampon
8. Tampon à récurer grossier - bleu clair

Avant la première utilisation et conseils pratiques

- La pile n'est pas entièrement chargée lors de son emballage. Charger la pile pour au moins 16 heures avant la première utilisation. Consulter la rubrique « Charge de la pile ».

Charge de la pile : (fig. B)

Au moment de débrancher la brosseuse du chargeur, s'assurer de débrancher d'abord le chargeur de la prise avant de débrancher le chargeur de la brosseuse. Il est possible de laisser l'outil se charger aussi longtemps que vous le souhaitez, une charge d'au moins 16 heures est nécessaire pour recharger complètement un outil déchargé.

1. Enlever la fiche du port de charge (9) de l'extrémité de la poignée. Brancher le cordon de sortie (10) du chargeur (5) dans la prise logée à l'arrière de la brosseuse.
2. Brancher le chargeur dans la prise murale. Le voyant rouge du chargeur s'allumera pour indiquer que la pile se recharge. Le voyant demeurera rouge aussi longtemps que l'appareil est connecté au chargeur. Durant la charge, le chargeur peut émettre un vrombissement et devenir chaud au toucher. C'est normal.
3. Si la pile ne se charge pas correctement :
 - vérifier le courant à la prise murale en branchant une lampe ou un autre appareil électrique pour voir si ça fonctionne;
 - vérifier si la prise est reliée à un interrupteur mural qui contrôle le courant;
 - déplacer le chargeur et la pile à une température ambiante de 5 à 40 °C (40 à 105 °F).
4. Une fois la charge terminée, remettre le bouchon du port de charge (9).
5. NE PAS CONTINUER À UTILISER LA brosseuse avec une pile épuisée. L'utilisateur ne doit jamais tenter d'enlever le capuchon de poignée de la brosseuse sauf pour recycler la pile. Le fait d'enlever le capuchon de la poignée compromettra le fonctionnement de l'appareil.

DIRECTIVES D'INSTALLATION

Accessoires : (fig. C)

⚠ AVERTISSEMENT : ne pas installer/retirer d'accessoires lorsque l'appareil fonctionne. Pour allumer ou éteindre la brosseuse, enfoncer l'interrupteur (9).

REMARQUE : certains accessoires pourraient ne pas être compris avec votre modèle. Consulter l'emballage du produit pour connaître son contenu. D'autres accessoires sont offerts auprès de détaillants locaux ou par téléphone en composant le numéro sans frais suivant : **1-800-544-6986**.

Fixation de la brosse à rouleaux (4), du porte-tampon (5) Accessoires : (fig. C)
Insérer l'accessoire (4 ou 5) sur la boîte de vitesses de la brosseuse (10). Tout en le poussant légèrement, tourner l'accessoire (4 ou 5) dans un sens ou l'autre de manière à ce qu'il s'engage avec la boîte de vitesses de la brosseuse (10). Vous entendrez un déclic lorsque l'accessoire (4 ou 5) sera bien engagé avec la boîte de vitesses de la brosseuse (10). Pour l'enlever, retirer l'accessoire (4 ou 5) de la boîte de vitesses de la brosseuse (10).

Fixation de tampon de la brosseuse (6) : (fig. A)

Fixer le tampon de la brosseuse (6) au porte-tampon (5) en fixant une des surfaces du tampon à la surface autoagrippante du porte-tampon.

Fixation de la brosseuse au manche-rallonge : (fig. D et fig. E)

Pour raccorder la brosseuse (1) au manche-rallonge (2), insérer la poignée de la brosseuse dans la pince de la manche-rallonge (11) de manière à entendre un déclic. Pour enlever la brosseuse (1) du manche-rallonge (2), baisser le levier du manche-rallonge (12) tout en retirant la brosseuse (1) de la pince du manche-rallonge (11).

DIRECTIVES D'UTILISATION

Fonctionnement de la brosseuse : (fig. C)

Pour allumer ou éteindre la brosseuse, enfoncer et relâcher l'interrupteur (9). Toujours tenir fermement la brosseuse par la poignée lors du fonctionnement de l'appareil.

IMPORTANT : la brosseuse a été conçue pour un nettoyage facile et en profondeur. En cas de doute à propos de son utilisation sur une surface donnée, tester un accessoire sur une petite surface cachée avant de nettoyer des surfaces plus importantes.

- Toujours respecter les recommandations du fabricant lors de l'utilisation d'un nettoyage chimique comme un pulvérisateur, une mousse, un gel à frotter, un détergent liquide ou une solution blanchissante.
- Ne pas utiliser de nettoyage abrasif en surface ou sur l'appareil.
- Toujours porter des gants en caoutchouc et une protection oculaire (pour éviter les projections) lors de l'utilisation de produits irritants.

Pour éviter les projections d'une brosse ou d'un tampon, éteindre la brosseuse pendant que l'accessoire repose encore sur la surface.

Important :

Les infiltrations d'eau dans l'unité n'affectent pas les performances. Cependant, si l'appareil devait tomber dans l'eau sans que le bouchon du port de charge ne soit en place, faire sortir l'eau en secouant l'appareil et le laisser sécher à l'air libre jusqu'au lendemain.

Manche-rallonge

⚠️ AVERTISSEMENT : toujours tenir fermement le manche-rallonge des deux mains au moment de l'utiliser. Ne jamais pulvériser de produit vers soi ou vers quiconque.

Utilisation du manche-rallonge comme outil de rinçage : (fig. F)

Le manche-rallonge étant complètement rentré, immerger la buse dans une baignoire ou un seau rempli d'eau. Tenir le tube (13) du manche-rallonge d'une main tout en tirant sur le manche-rallonge (14) de l'autre main pour entraîner l'eau dans le manche-rallonge. Pour faire sortir l'eau du manche-rallonge, tenir le tube (13) du manche-rallonge d'une main tout en poussant sur le manche-rallonge (14) de l'autre.

Utilisation du manche-rallonge pour pulvériser un produit chimique de nettoyage : (fig. G)

Il faut toujours remplir et vider le manche-rallonge au-dessus d'un évier ou d'une baignoire en cas de déversement accidentel. Nettoyer l'extérieur de l'appareil et rincer le manche-rallonge à l'eau claire avant de le remplir d'une solution de nettoyage différente. NE PAS MÉLANGER différentes solutions de nettoyage. Lire et suivre les directives du fabricant apposées sur le produit de nettoyage utilisé.

REMARQUE! Ne remplir le manche-rallonge qu'à l'aide de solutions de nettoyage domestiques approuvées de type « aqueux » pouvant être utilisées dans les pompes distributrices. Ne pas utiliser de produits contenant des agents à base de pin ou des produits à base d'huile. D'autres produits de nettoyage épais comme des gels et des solutions de nettoyage douces peuvent être appliqués directement sur la surface à nettoyer à partir du contenant dans lequel ils ont été achetés. Ils ne peuvent toutefois pas être distribués par le manche-rallonge, car ils vont boucher le système.

Le manche-rallonge étant complètement déployé comme le montre la position du piston (15) du manche-rallonge, dévisser le bouchon du tuyau de remplissage (16), puis remplir le tube (13) avec le produit chimique de nettoyage de votre choix conformément aux directives du fabricant. Une fois l'appareil rempli jusqu'au niveau désiré, visser de nouveau le bouchon du tuyau de remplissage (16) en place et serrer manuellement. Pour faire sortir le produit chimique de nettoyage du manche-rallonge, tenir le tube (13) du manche-rallonge d'une main tout en poussant le manche-rallonge (14) de l'autre.

Utilisation du manche-rallonge pour étendre la portée : (fig. H)

Régler la position du manche-rallonge en tenant le tube (13) d'une main tout en poussant ou en tirant le manche-rallonge (14) de l'autre de manière à obtenir la longueur désirée. Verrouiller le manche-rallonge en position en tenant le collier fixe (17) en place d'une main tout en vissant le collier de blocage (18) de l'autre selon le sens de blocage indiqué par la flèche du collier fixe. Serrer manuellement le collier de blocage (18) et s'assurer que le manche-rallonge (14) ne peut se déplacer de sa position bloquée. Serrer de nouveau le collier de blocage (18) en cas de déplacement. Pour changer la position du manche-rallonge (14), dévisser le collier de blocage (18) et placer le manche-rallonge (14) à la position désirée. Refaire les étapes précédentes pour verrouiller le manche-rallonge.

Accessoires : (fig. A)

Brosse à rouleaux (4) : pour un nettoyage en profondeur de murs en carreaux de céramique, de planchers, de dossierers, de surfaces en fibre de verre et en plastique rigide. Porte-tampon (5) : utiliser un adaptateur avec les tampons à récurer. Tampon à récurer grossier (6) – (bleu clair) : pour un nettoyage en profondeur de surfaces importantes telles que les carreaux de céramique, les bains et éviers en porcelaine ou émaillés.

DIRECTIVES D'ENTRETIEN À L'INTENTION DE L'UTILISATEUR

Nettoyage et rangement

REMARQUE! Pour optimiser le rendement, vider et bien rincer le manche-rallonge avant de le ranger. Pour ce faire, remplir le manche-rallonge avec de l'eau et le vider, une ou deux fois comme d'habitude. Bien nettoyer les brosses et/ou tampons de récurage après chaque utilisation.

- Nettoyer les brosses et les tampons de récurage à l'aide d'un détergent doux, rincer à l'eau et sécher à l'air libre.
- Pour nettoyer la brosseuse et le manche-rallonge, passer une éponge humide et utiliser un savon doux.
- Ranger la brosseuse et les accessoires à l'intérieur.

Nettoyage de la buse du manche-rallonge : (fig. I)

- Enlever la buse du manche-rallonge (20) en la dévissant dans le sens antihoraire.
- Conservé la soupape (19) pour sa réinstallation ultérieure.
- Tremper la buse du manche-rallonge (20) pendant une demi-heure dans un mélange de 1 volume de vinaigre pour 3 volumes d'eau. S'assurer que les orifices de la buse du manche-rallonge ne sont pas obstrués par des dépôts. S'ils sont obstrués, dégager soigneusement les orifices à l'aide d'une aiguille fine.
- Réinstaller la soupape (19) dans l'orifice situé à l'extrémité du connecteur du manchon-rallonge (11), l'extrémité mâle de la soupape (19) faisant face à l'intérieur du connecteur du manchon-rallonge (11). Visser la buse (20) en place, puis serrer manuellement.

Réduction de la résistance du piston du manche-rallonge :

(fig. J et fig. K)

Au fil du temps, il est possible que le piston du manche-rallonge ne se déplace pas de manière aussi régulière qu'à la première utilisation. Pour remédier à ce problème, suivre les étapes suivantes :

- Éliminer tout liquide présent à l'intérieur du manche-rallonge.
- À l'aide d'un petit tournevis à lame plate, soulever la pince en forme de C (21).
- Tenir d'une main le tube (13) du manche-rallonge tout en tirant sur le manche-rallonge (14) de l'autre main de manière à séparer le tube (13) du reste de l'ensemble.
- Avancer le piston (15) du manche-rallonge pour lubrifier les joints toriques (22) avec de la vaseline.
- Pour le remonter, insérer le piston (15) dans le tube du manche-rallonge (13).
Remarque : ne pas laisser sortir les joints toriques de leur rainure au moment d'insérer le piston (15) du manche-rallonge. Des dommages pourraient se produire. Insérer le tube du manche-rallonge (13) dans le collier fixe (17) de manière à ce que les fentes latérales du collier fixe (17) et du tube (13) du manche-rallonge soient alignées. Remettre la pince en forme de C (21).
- Le manche-rallonge étant complètement déployé, s'assurer que le tube (13) du manche-rallonge est verrouillé en place en tenant le tube (13) d'une main et en tirant le manche-rallonge (14) de l'autre. Si le tube (13) du manche-rallonge ne se déplace pas, cela signifie qu'il est bien fixé en place.

GUIDE DE DÉPANNAGE

Problème	Raison possible	Solution possible
La brosseuse ne fonctionne pas	1. Pile non chargée 2. Bouchon du chargeur inséré dans l'appareil	1. Charger le bloc-piles. 2. Enlever le bouchon de la brosseuse
La brosseuse ne se recharge pas	1. Aucun courant à la prise 2. Prise fonctionnant avec un interrupteur	1. Utiliser une autre prise 2. Allumer l'interrupteur
Piston du manche-rallonge ne tire pas ou a des difficultés à tirer de l'eau	1. Buse de manche-rallonge pas plongée assez profondément dans l'eau 2. Collier de blocage pas suffisamment desserré 3. Fuite dans la buse de manche-rallonge 4. Fuite dans le bouchon du tuyau de remplissage 5. Buse du manche-rallonge bouchée 6. Joints toriques nécessitant une lubrification 7. Joints toriques endommagés	1. Ajouter de l'eau dans le seau ou la baignoire 2. Desserrer le collier de blocage 3. Serrer manuellement la buse du manche-rallonge 4. Serrer manuellement le bouchon du tuyau de remplissage 5. Nettoyer la buse du manche rallonge 6. Lubrifier les joints toriques 7. Appeler le service à la clientèle
Piston du manche-rallonge n'expulse pas ou a des difficultés à expulser des liquides	1. Collier de blocage pas assez desserré 2. Buse de manche-rallonge bouchée 3. Joints toriques nécessitant une lubrification 4. Joints toriques endommagés	1. Desserrer le collier de blocage 2. Nettoyer la buse du manche-rallonge 3. Lubrifier les joints toriques 4. Appeler le service à la clientèle

Retrait et élimination de la pile

Ce dispositif utilise une pile au nickel-cadmium (Ni-Cd) rechargeable et recyclable. Lorsqu'une pile ne retient plus aucune charge, on doit la retirer et la recycler. Ne jamais incinérer ou mettre une pile au compost. On peut apporter la pile à un centre de réparation Black & Decker ou un centre autorisé pour l'éliminer. Certains détaillants locaux participent également à un programme de recyclage national (voir la section « sceau SPRC »). Communiquer avec le détaillant de votre région pour en connaître les détails. Le centre de réparation de Black & Decker ou un centre autorisé prendront les dispositions nécessaires pour recycler la pile épuisée si on la rapporte à un tel centre. Ou, si vous le souhaitez, il est aussi possible de communiquer avec votre municipalité pour obtenir les directives de mise au rebut appropriées dans votre localité.

Retirer la pile : (fig. L et fig. M)

⚠️ AVERTISSEMENT : au moment de soulever le capuchon de la poignée de la brosseuse, utiliser une protection oculaire adéquate et faire attention à la position de sa main au cas où le tournevis glisserait.

Pour enlever le bloc-piles en vue de l'éliminer, insérer un tournevis à lame plate dans la fente entre le capuchon de poignée (23) et la poignée de la brosseuse. Détacher le capuchon de la poignée (23) en le soulevant dans le sens indiqué par la flèche. Il vous faudra peut-être soulever l'autre côté de la poignée. Sortir le bloc-piles (24) en le glissant hors de la brosseuse et l'éliminer (24) comme il est indiqué précédemment. Après avoir été enlevé, le bloc-piles ne peut plus être inséré dans l'appareil.

LE SCEAU RBRC™

RBRC™ (Société de recyclage des piles rechargeables)

Ce sceau apposé sur la pile au nickel-cadmium (ou sur le bloc-piles) indique que les coûts de recyclage de cette pile (ou de ce bloc-piles) à la fin de sa vie utile ont déjà été payés par Black & Decker. Dans certaines régions, il est illégal de jeter les piles au nickel-cadmium déchargées dans les poubelles ou dans le système municipal de cueillette des résidus solides. Le programme de la RBRC représente donc une alternative écologique.

La RBRC, en collaboration avec Black & Decker et d'autres utilisateurs de piles, a établi aux États-Unis et au Canada des programmes facilitant la cueillette des piles au nickel-cadmium déchargées. Black & Decker encourage ses clients à protéger l'environnement et à conserver les ressources naturelles, et ce, en retournant les piles au nickel-cadmium déchargées à un centre de réparation Black & Decker autorisé ou à un détaillant local pour qu'elles soient recyclées. On peut aussi communiquer avec le centre local de recyclage pour savoir où déposer les piles déchargées ou composer le numéro **1-800-8-BATTERY**.

INFORMATION SUR LES RÉPARATIONS

Tous les centres de réparation Black & Decker sont dotés de personnel qualifié en matière d'outillage électrique; ils sont donc en mesure d'offrir à leur clientèle un service efficace et fiable. Que ce soit pour un avis technique, une réparation ou des pièces de rechange authentiques installées en usine, communiquer avec l'établissement Black & Decker le plus près de chez vous. Pour trouver l'établissement de réparation de votre région, consulter le répertoire des Pages jaunes à la rubrique « Outils électriques » ou composer le numéro suivant : **1-800-544-6986** ou consulter le site www.blackanddecker.com

GARANTIE COMPLÈTE DE DEUX ANS POUR UNE UTILISATION DOMESTIQUE

Black & Decker (É.-U.) Inc. garantit ce produit pour une durée de deux ans contre tout défaut de matériau ou de fabrication. Le produit défectueux sera remplacé ou réparé sans frais de l'une des deux façons suivantes :

La première façon consiste en un simple échange chez le détaillant qui l'a vendu (pourvu qu'il s'agisse d'un détaillant participant). Tout retour doit se faire durant la période correspondant à la politique d'échange du détaillant (habituellement, de 30 à 90 jours après l'achat). Une preuve d'achat peut être requise. Vérifier auprès du détaillant pour connaître sa politique concernant les retours hors de la période définie pour les échanges.

La deuxième option est d'apporter ou d'envoyer le produit (transport payé d'avance) à un centre de réparation autorisé ou à un centre de réparation de Black & Decker pour faire réparer ou échanger le produit, à notre discrétion. Une preuve d'achat peut être requise. Les centres Black & Decker et les centres de service autorisés sont répertoriés dans les pages jaunes, sous la rubrique « Outils électriques ».

Cette garantie ne s'applique pas aux accessoires. Cette garantie vous accorde des droits légaux spécifiques et vous pourriez avoir d'autres droits qui varient d'un État ou d'une province à l'autre. Pour toute question, communiquer avec le directeur du centre de réparation Black & Decker le plus près de chez vous. Ce produit n'est pas destiné à un usage commercial.

REPLACEMENT GRATUIT DES ÉTIQUETTES D'AVERTISSEMENT : si les étiquettes d'avertissement deviennent illisibles ou sont manquantes, composer le **1-800-544-6986** pour en obtenir le remplacement gratuit.

Imported by / Importé par
Black & Decker Canada Inc.
100 Central Ave.
Brockville (Ontario) K6V 5W6

Voir la rubrique "Outils électriques"
des Pages Jaunes
pour le service et les ventes.



MANUAL DE INSTRUCCIONES

Número de catálogo S700E, incluido la unidad de fregado S700

¡GRACIAS POR ELEGIR BLACK & DECKER!
VAYA A WWW.BLACKANDDECKER.COM/NEWOWNER
PARA REGISTRAR SU NUEVO PRODUCTO.

**ANTES DE DEVOLVER ESTE PRODUCTO POR
CUALQUIER MOTIVO, LLAME AL
(55)5326-7100**

ANTES DE LLAMAR, TENGA EL NÚMERO DE CATÁLOGO Y EL CÓDIGO DE FECHA PREPARADOS. EN LA MAYORÍA DE LOS CASOS, UN REPRESENTANTE DE BLACK & DECKER PUEDE RESOLVER EL PROBLEMA POR TELÉFONO. SI DESEA REALIZAR UNA SUGERENCIA O COMENTARIO, LLÁMENOS. SU OPINIÓN ES FUNDAMENTAL PARA BLACK & DECKER.

Información clave que debe conocer

- Utilice solamente los limpiadores para uso doméstico “similares al agua”. No utilice limpiadores con agentes de pino u otros productos basados en aceite.
- Cuando sumerja la restregadora en agua, NO la sumerja a más de 1 metro (3 pies). No deje la restegadora sumergida por más de 30 minutos.

CONSERVE ESTE MANUAL PARA FUTURAS CONSULTAS.

⚠ **ADVERTENCIA:** Instrucciones y advertencias importantes sobre la seguridad

Cuando utilice aparatos eléctricos, siempre debe seguir algunas precauciones básicas de seguridad, entre ellas:

POR FAVOR LEA ATENTAMENTE PARA ENTENDER TODAS LAS INSTRUCCIONES ANTES DE UTILIZAR LA UNIDAD.

⚠ **ADVERTENCIA:** Algunos productos de limpieza contienen sustancias químicas reconocidas por el Estado de California como causantes de cáncer, defectos congénitos u otros problemas reproductivos. Cuando utilice la fregadora, asegúrese de leer las etiquetas de los productos de limpieza, por si hay advertencias de acuerdo con la Propuesta 65. Siga las instrucciones de los recipientes de estos productos.

⚠ **ADVERTENCIA:** INDICACIONES ESPECÍFICAS SOBRE RIESGO DE INCENDIO, DESCARGA ELÉCTRICA O LESIONES PERSONALES

- Debe supervisar detenidamente el uso de cualquier aparato por parte de niños o cerca de ellos. No permita que se utilice como juguete.
- Nunca rocíe el producto hacia la cara o en dirección a otra persona.
- Nunca coloque la boca sobre la boquilla ni intente imprimir el pulverizador succionando a través de la boquilla.
- NO ROCÍE GASOLINA, SOLVENTES, ÁCIDOS, SUSTANCIAS CÁUSTICAS, VENENOS, ACEITES, LÍQUIDOS INFLAMABLES NI PRODUCTOS SIMILARES. Las quemaduras, el incendio o la inhalación o el contacto con estos líquidos puede provocar lesiones personales.
- Para reducir el riesgo de descarga eléctrica, no sumerja el cargador de la batería en agua ni en ningún otro líquido.
- No lo opere en presencia de vapores o líquidos explosivos o inflamables.
- Utilice siempre protección para los ojos cuando use la fregadora con sustancias irritantes. También deberá usar guantes de goma. Lea y respete las instrucciones del fabricante del producto limpiador que utiliza.
- Guarde siempre la unidad en un lugar cubierto.
- Mantenga el cabello, las ropas holgadas y todas las partes del cuerpo alejadas de las piezas en movimiento.
- No inserte ningún suplemento o accesorio mientras la unidad esté en funcionamiento.
- No use ni sumerja la unidad sin el enchufe del puerto de carga en el lugar.
- Guarde fuera del alcance de los niños.
- Este aparato está diseñado para uso doméstico solamente y no para uso comercial o industrial.
- Úsela solamente de la manera que se describe en este manual. Utilice únicamente accesorios recomendados por Black & Decker.

PAUTAS DE SEGURIDAD/DEFINICIONES

Es importante que lea y comprenda este manual. La información que contiene se relaciona con la protección de SU SEGURIDAD y la PREVENCIÓN DE PROBLEMAS. Los símbolos que siguen se utilizan para ayudarlo a reconocer esta información.

⚠ **PELIGRO:** indica una situación de peligro inminente que, si no se evita, provocará la muerte o lesiones graves.

⚠ **ADVERTENCIA:** indica una situación de peligro potencial que, si no se evita, provocará la muerte o lesiones graves.

⚠ **PRECAUCIÓN:** indica una situación de peligro potencial que, si no se evita, provocará lesiones leves o moderadas.

PRECAUCIÓN: utilizado sin el símbolo de alerta de seguridad indica una situación de peligro potencial que, si no se evita, puede provocar daños en la propiedad.

Instrucciones de seguridad importantes para la batería y el cargador

- No cargue la batería si está húmeda o si muestra algún indicio de corrosión.
- No incinere la batería. Puede explotar en el fuego. En condiciones de uso, de carga o de temperaturas extremas, podría producirse una pequeña pérdida en las celdas de la batería. Esto no indica una falla. Sin embargo, si el sello externo está roto y esta pérdida toca su piel:
Lave rápidamente con agua y jabón o neutralice con un ácido suave como jugo de limón o vinagre. Si el líquido de la batería entra en contacto con los ojos, lávelos con agua limpia durante al menos 10 minutos. Busque atención médica.
- **NOTA:** El líquido es una solución de hidróxido de potasio al 20%-35%.
- No utilice un cable prolongador. Enchufe el cargador directamente en un tomacorriente.
- Utilice el cargador solamente en un tomacorriente estándar (120V/60Hz).
- No intente utilizar este cargador con cualquier otro producto; no intente cargar este producto con ningún otro cargador. Para realizar una recarga utilice sólo el cargador provisto por el fabricante.
- No utilice el cargador en lugares húmedos o mojados. Está diseñado para uso en interiores solamente. No utilice el cargador cerca de fregaderos o tinas. No lo sumerja en agua.
- No permita que el cable cuelgue sobre el borde de una mesa o mostrador, o toque superficies calientes.

El cargador debe colocarse lejos de fregaderos y superficies calientes.

- No opere el cargador con un cable o enchufe dañados; reemplácelos de inmediato.
- No opere el cargador si éste ha recibido un golpe fuerte, se cayó o está dañado de alguna forma. Devuelva el aparato a cualquier instalación de mantenimiento autorizada para examinarlo, repararlo o realizarle ajustes eléctricos o mecánicos. No desarme el cargador.
- Para obtener mejores resultados, no cargue la batería cuando ésta o la temperatura ambiental se halle por DEBAJO de 5 °C (40 °F) o por encima de 40 °C (105 °F).
- Desenchufe el cargador cuando no lo use y antes de realizar tareas de limpieza o mantenimiento.
- No maltrate el cable. Para reducir el riesgo de avería en el cable o enchufe eléctrico, nunca transporte el cargador por el cable ni lo jale para desconectar el aparato; en cambio, tome el enchufe del cargador y tire para desconectarlo. Mantenga el cargador alejado del calor, el aceite y los bordes afilados.
- El cargador suministrado con este producto debe enchufarse de manera que quede correctamente orientado en posición vertical o de montaje en el piso.

CONSERVE ESTAS INSTRUCCIONES

Descripción funcional

1. Fregadora
2. Mango de extensión
3. Válvula
4. Boquilla
5. Cargador de la batería
6. Cepillo de rodillo
7. Sujetador de almohadillas
8. Almohadilla para fregar abrasiva (celeste)

Antes del primer uso y sugerencias

- La batería incluida en la caja no está completamente cargada. Cargue la batería por lo menos durante 16 horas antes del primer uso. Consulte “Carga de la batería”.

Carga de la batería: (Fig. B)

Cuando desconecte la fregadora del cargador, primero asegúrese de desenchufar el cargador del tomacorriente y luego desconecte el cable del cargador de la fregadora. Puede dejar la herramienta en el cargador todo el tiempo que desee; para recargar una herramienta completamente descargada, se requiere una carga mínima de 16 horas.

1. Quite el enchufe del puerto de carga (9) en el extremo del mango. Coloque el cable de energía (10) del cargador de la batería (5) en el enchufe hembra que está en la parte posterior de la fregadora.
2. Enchufe el cargador de la batería en un tomacorriente de pared. La luz indicadora roja que se encuentra en el cargador de la batería se ENCENDERÁ para indicar que la batería se está cargando. Esta luz permanecerá roja mientras la unidad esté conectada al cargador. Durante la carga, el cargador de la batería puede zumbir y ponerse caliente al tacto. Esto es normal.
3. Si una batería no se carga correctamente:
 - compruebe la corriente en el tomacorriente enchufando allí una lámpara u otro artefacto para ver si se encienden;
 - verifique si el tomacorriente está conectado a un interruptor de pared que controla la energía;
 - lleve el cargador y la batería a un ambiente con una temperatura de 5 °C (+40 °F) a 40 °C (105 °F).
4. Después de la carga, vuelva a colocar el enchufe del puerto de carga (9).
5. NO CONTINÚE UTILIZANDO LA FREGADORA con la batería agotada. El usuario nunca debe intentar quitar la tapa del mango de la fregadora, excepto para reciclar la batería. Quitar la tapa del mango de la fregadora afectará el funcionamiento de la unidad.

INSTRUCCIONES DE INSTALACIÓN

Accesorios: (Fig. C)

⚠ **ADVERTENCIA:** No conecte ni desconecte ningún accesorio con la unidad en funcionamiento. Para encender y apagar la fregadora, presione el botón de interruptor (9).

NOTA: Su modelo puede no incluir algunos accesorios. Consulte el embalaje del producto para conocer el contenido. Los accesorios adicionales se pueden conseguir en las tiendas minoristas locales o llamando sin cargo al **1-800-544-6986**.

Colocación del cepillo de rodillo (4) y sujetador de almohadillas (5): (Fig C)

Inserte el accesorio (4 ó 5) sobre la caja de engranajes de la fregadora (10). Mientras presiona levemente, gire el accesorio (4 ó 5) en cualquier dirección hasta que traben en la caja de engranajes (10). Oirá un “click” cuando el accesorio (4 ó 5) se trabe por completo en la caja de engranajes (10). Para quitar el accesorio, tire de éste (4 ó 5) hacia afuera de la caja de engranajes de la fregadora (10).

Colocación de las almohadilla de la fregadora (6): (Fig A)

Coloque una de las almohadilla de la fregadora (6) en el sujetador de almohadilla (5), de frente a la superficie de velcro del sujetador.

Colocación de la fregadora en el mango de extensión: (Fig. D y Fig. E)

Para instalar la fregadora (1) en el mango de extensión (2), inserte el mango de la fregadora en la abrazadera del mango de extensión (11) hasta oír un “click”. Para quitar la fregadora (1) del mango de extensión (2), empuje hacia abajo la palanca del mango de extensión (12) y, al mismo tiempo, jale de la fregadora (1) hacia afuera de la abrazadera del mango de extensión (11).

INSTRUCCIONES DE OPERACIÓN

Cómo operar la fregadora: (Fig. C)

Para encender y apagar la fregadora, presione y libere el botón de interruptor (9).

Cuando opere la fregadora, sujétale siempre con firmeza del mango.

IMPORTANTE: La fregadora fue diseñada para limpiar con facilidad y potencia. Si no está seguro sobre su uso en una superficie dada, pruebe un accesorio en un área pequeña que no sea muy visible antes de limpiar áreas más grandes.

- Siga siempre las recomendaciones del fabricante cuando use un limpiador químico, como pulverizadores, espumas, gel para frotar, detergentes líquidos o soluciones blanqueadoras.
- No utilice limpiadores abrasivos sobre ninguna superficie ni sobre la unidad.
- Utilice siempre guantes de goma y protección para los ojos (para evitar salpicaduras) cuando use limpiadores irritantes.

Para evitar que un cepillo o una almohadilla salpiquen, apague la fregadora mientras el accesorio aún está en contacto con la superficie.

Importante:

Si entra un poco de agua a la unidad, no afectará su rendimiento. Sin embargo, si la unidad cayera accidentalmente en el agua sin tener colocada el enchufe del puerto de carga, sacúdala para sacar todo el líquido y déjela secar al aire hasta el día siguiente.

Mango de extensión

⚠ **ADVERTENCIA:** Cuando use el mango de extensión, sosténgalo siempre firmemente con ambas manos. Nunca rocíe el producto en dirección a su rostro u otra persona.

Uso del mango de extensión como una herramienta para enjuagar (Fig. F)

Con el mango de extensión totalmente contraído, sumerja la boquilla en una bañera o un balde lleno de agua. Sostenga el tubo del mango de extensión (13) con una mano y, al mismo tiempo, tire de la agarradera del mango de extensión (14) con la otra mano para succionar agua en el mango de extensión. Para expulsar el agua del mango de extensión, sostenga el tubo del mango de extensión (13) con una mano y, al mismo tiempo, empuje la agarradera del mango de extensión (14) con la otra mano.

Uso del mango de extensión para pulverizar químicos limpiadores: (Fig. G)

Siempre debe llenar y vaciar el mango de extensión en un fregadero o una bañera en caso de derrame. Limpie el exterior de la unidad y enjuague el mango de extensión con agua limpia antes de llenarlo con una solución de limpieza diferente. NO MEZCLE soluciones de limpieza diferentes. Lea y respete las instrucciones del fabricante del producto limpiador que utiliza.

NOTA: Sólo llene el mango de extensión con soluciones de limpieza “similares al agua” aprobadas y de uso doméstico que se puedan utilizar en dispensadores con bomba manual. No utilice limpiadores con agentes de pino u otros productos a base de aceite. Otros productos de limpieza más espesos, como geles y removedores suaves, pueden aplicarse directamente sobre la superficie que desee limpiar desde el contenedor en el que se adquirieron, pero no pueden rociarse a través del mango de ya que obstruirán el sistema.

Con el mango de extensión totalmente extendido como indica la posición del pistón del mango de extensión (15), desenrosque la tapa de llenado (16) y llene el tubo del mango de extensión (13) con el químico limpiador de su elección de acuerdo con las instrucciones del fabricante. Cuando la unidad esté llena hasta el nivel que considere adecuado, vuelva a enroscar la tapa de llenado (16) en el lugar y ajuste manualmente.

Para expulsar el químico limpiador del mango de extensión, sostenga el tubo del mango de extensión (13) con una mano y, al mismo tiempo, empuje la agarradera del mango de extensión (14) con la otra mano.

Uso del mango de extensión para extender el alcance: (Fig. H)

Ajuste la posición del mango de extensión. Para ello, sostenga el tubo del mango de extensión (13) con una mano y, al mismo tiempo, empuje o jale de la agarradera del mango de extensión (14) con la otra mano hasta alcanzar la longitud deseada. Para trabar el mango de extensión en posición, sostenga anillo fijo (17) en el lugar con una mano, mientras enrosca el anillo de bloqueo (18) con la otra mano en la dirección de bloqueo que indica la flecha del anillo fijo. Ajuste manualmente el anillo de bloqueo (18) y asegúrese de que la abrazadera del mango de extensión (14) no se pueda mover con facilidad de la posición en la que trabó el mango. Si en algún momento se mueve, vuelva a ajustar el anillo de bloqueo (18). Para cambiar la posición de la agarradera del mango de extensión (14), desenrosque el anillo de bloqueo (18) y coloque la agarradera del mango de extensión (14) en la nueva posición deseada. Repita los pasos anteriores para trabar el mango de extensión.

Accesorios: (Fig. A)

Cepillo de rodillo (4): Para limpiar la suciedad difícil en paredes de baldosas de cerámica, pisos, losetas, fibra de vidrio y superficies de plástico duro.
Sujetador de almohadillas (5): Adaptador que se utiliza con las almohadillas de la fregadora.
Almohadilla para fregar abrasiva (6) (celeste): Para un fregado agresivo en superficies grandes como baldosas de cerámica y porcelana o tinajas y fregaderos esmaltados.

INSTRUCCIONES DE MANTENIMIENTO PARA EL USUARIO

Limpieza y almacenamiento

NOTA: Para lograr un mejor rendimiento, vacíe y enjuague completamente el mango de extensión antes de almacenar. Para ello, llene el mango de extensión con agua y vacíe de la manera habitual 1 ó 2 veces. Limpie minuciosamente los cepillos o las almohadillas de fregar después de cada uso.

- Limpie los cepillos y las almohadillas de fregar con un detergente suave, enjuague con agua y deje secar al aire.
- Para limpiar la fregadora y el mango de extensión, use una esponja húmeda y un jabón suave.
- Guarde la fregadora y los suplementos y accesorios en un lugar a cubierto.

Limpieza de la boquilla del mango de extensión (Fig. I)

- Para quitar la boquilla del mango de extensión (20), desenrosque la en sentido contrario a las agujas del reloj.
- Deje a un lado la válvula (19) para volver a instalarla más tarde.
- Coloque la boquilla del mango de extensión en remojo (20) en una mezcla de una parte de vinagre y tres de agua durante media hora. Asegúrese de que los orificios de la boquilla del mango de extensión no estén obstruidos. De no ser así, límpielos con cuidado con una aguja fina.
- Inserte la válvula (19) en el orificio que está en el extremo de la abrazadera del mango de extensión (11) con el costado macho de la válvula (19) de frente al interior de la abrazadera del mango de extensión (11). Enrosque la boquilla (20) en el lugar y ajústela manualmente.

Reducción de la resistencia del pistón del mango de extensión: (Fig. J y Fig. K)

Con el tiempo, es posible que el pistón del mango de extensión no se mueva suavemente como cuando lo usó por primera vez. Para solucionar este problema, siga los siguientes pasos:

- Extraiga el líquido que esté en el mango de extensión.
- Con un destornillador de cabeza plana, haga palanca en el sujetador con forma de C (21).
- Sostenga el tubo del mango de extensión (13) con una mano mientras jala de la agarradera del mango de extensión (14) con la otra mano hasta que el tubo del mango de extensión (13) se separe del resto del conjunto.
- Mueva el pistón del mango de extensión hacia adelante (15) para lubricar las juntas tóricas (22) con vaselina.
- Para volver a instalar, inserte el pistón del mango de extensión (15) en el tubo del mango de extensión (13).
Nota: No permita que las juntas tóricas se salgan de las ranuras cuando inserte el pistón del mango de extensión (15). Se pueden producir daños. Inserte el tubo del mango de extensión (13) en el anillo fijo (17) hasta que las ranuras laterales del anillo fijo (17) y el tubo del mango de extensión (13) se alineen. Vuelva a instalar el sujetador con forma de C (21).
- Con el tubo del mango de extensión completamente extendido, verifique que éste (13) esté trabado en el lugar. Para ello, sostenga el tubo del mango de extensión (13) con una mano mientras jala de la agarradera del mango de extensión (14) con la otra mano. Si el tubo del mango de extensión (13) no se mueve, significa que está seguro en el lugar.

GUÍA PARA SOLUCIONAR PROBLEMAS

Problema	Causa posible	Solución posible
La fregadora no funciona.	<ol style="list-style-type: none"> La batería no está cargada. El enchufe del cargador está instalado en la unidad 	<ol style="list-style-type: none"> Cargue las baterías. Quite el enchufe del cargador de la fregadora.
La fregadora no se carga.	<ol style="list-style-type: none"> No hay corriente en el tomacorriente. El tomacorriente funciona con un interruptor 	<ol style="list-style-type: none"> Use otro tomacorriente. Encienda el interruptor.
El pistón del mango de extensión no succiona o tiene dificultades para succionar agua	<ol style="list-style-type: none"> La boquilla del mango de extensión no está suficientemente insertada en el agua. El anillo de bloqueo no está suficientemente flojo. La boquilla del mango de extensión pierde. La tapa de llenado pierde. La boquilla del mango de extensión está obstruida. Las juntas tóricas necesitan lubricación. Las juntas tóricas están dañadas. 	<ol style="list-style-type: none"> Agregue agua al balde o la bañera. Afloje el anillo de bloqueo. Ajuste manualmente la boquilla del mango de extensión. Ajuste manualmente la tapa de llenado. Limpie la boquilla del mango de extensión. Lubrique las juntas tóricas. Llame a la Oficina de servicio al cliente.

Problema

El pistón del mango de extensión no expulsa líquido o tiene dificultades para expulsar líquido

Causa posible

- El anillo de bloqueo no está suficientemente flojo.
- La boquilla del mango de extensión está obstruida.
- Las juntas tóricas necesitan lubricación.
- Las juntas tóricas están dañadas.

Solución posible

- Afloje el anillo de bloqueo
- Limpie la boquilla del mango de extensión.
- Lubrique las juntas tóricas.
- Llame a la Oficina de servicio al cliente.

Extracción y eliminación de la batería

Este producto utiliza una batería de níquel-cadmio (Ni-Cad) recargable y reciclable. Cuando ya no se pueda recargar, se debe retirar de la unidad y reciclar. La batería no se debe incinerar ni someter a un proceso de compostaje. Para eliminar la batería, puede llevarla a un Centro de mantenimiento autorizado o de propiedad de la compañía. También hay otros comercios minoristas locales que están participando en un programa de reciclado nacional (consulte “Sello RBRC”). Llame a su comercio minorista local para obtener más información. Si trae la batería vieja a un Centro de mantenimiento Black & Decker propio o autorizado, el Centro se ocupará de reciclarla. O bien, si lo desea, consulte en la municipalidad de su localidad para conocer las instrucciones de eliminación adecuadas de su ciudad o localidad.

Extracción de la batería: (Fig. L y Fig. M)

⚠️ ADVERTENCIA: Cuando quite la tapa del mango de la fregadora haciendo palanca, utilice protección adecuada para los ojos y preste atención a la posición de la mano en caso de que el destornillador se resbale.

Cuando saque el paquete de baterías para su eliminación, inserte un destornillador plano en la separación entre la tapa del mango de la fregadora (23) y el mango de la fregadora. Quite la tapa del mango de la fregadora (23) haciendo palanca en la dirección que muestra la flecha. Quizás sea necesario hacer palanca en el lado opuesto del mango. Deslice el paquete de baterías (24) fuera de la fregadora y deséchelo (24) como se describió anteriormente. Una vez que extrae el paquete de baterías, no se puede volver a colocar.



EL SELLO RBRC™

El sello RBRC™ (Corporación de reciclado de baterías recargables) que se encuentra sobre la batería de níquel-cadmio (o paquete de batería) indica que los costos para reciclar la batería (o el paquete de batería) al final de su vida útil ya han sido pagados por Black & Decker. En algunas zonas, es ilegal tirar las baterías usadas de níquel-cadmio en la basura o en el flujo de desechos sólidos del municipio. El programa RBRC proporciona una alternativa de conciencia sobre el cuidado del medio ambiente. RBRC en cooperación con Black & Decker y otros usuarios de baterías, estableció programas en los Estados Unidos y Canadá para facilitar la recolección de baterías de níquel-cadmio ya usadas. Ayude a proteger nuestro medio ambiente y a conservar los recursos naturales devolviendo las baterías de níquel-cadmio ya usadas a un centro de mantenimiento autorizado Black & Decker o a un comerciante minorista para que sean recicladas. También puede comunicarse con el centro de reciclado para obtener información o dónde dejar las baterías, o llame al **1-800-8-BATTERY**.

INFORMACIÓN DE MANTENIMIENTO

Todos los Centros de mantenimiento de Black & Decker cuentan con personal altamente capacitado dispuesto a brindar a todos los clientes un servicio eficiente y confiable en la reparación de herramientas eléctricas. Si necesita consejo técnico, reparaciones o piezas de repuesto originales de fábrica, póngase en contacto con el centro de mantenimiento de Black & Decker más cercano a su domicilio. Para ubicar su centro de servicio local, consulte la sección “Herramientas eléctricas” (Tools-Electric) de las páginas amarillas, llame al **(55)5326-7100** o visite nuestro sitio **www.blackanddecker.com**.

GARANTÍA COMPLETA DE DOS AÑOS PARA USO EN EL HOGAR

Black & Decker (Estados Unidos) Inc. ofrece una garantía de dos años por cualquier defecto del material o de fabricación de este producto. El producto defectuoso se reparará o reemplazará sin costo alguno de dos maneras.

La primera opción, el reemplazo, es devolver el producto al comercio donde se lo adquirió (siempre y cuando se trate de un comercio participante). Las devoluciones deben realizarse conforme a la política de devolución del comercio (generalmente, entre 30 y 90 días posteriores a la venta). Le pueden solicitar comprobante de compra. Consulte en el comercio acerca de la política especial sobre devoluciones una vez excedido el plazo establecido.

La segunda opción es llevar o enviar el producto (con flete pago) a un Centro de mantenimiento propio o autorizado de Black & Decker para su reparación o reemplazo según nuestro criterio. Le pueden solicitar el comprobante de compra. Los Centros de mantenimiento autorizados y de propiedad de Black & Decker se detallan en la sección “Herramientas eléctricas” (Tools-Electric) de las páginas amarillas de la guía telefónica. Esta garantía no se extiende a los accesorios. Esta garantía le concede derechos legales específicos; usted puede tener otros derechos que pueden variar según el estado o la provincia. Si tiene alguna pregunta, comuníquese con el gerente del Centro de mantenimiento de Black & Decker de su zona. Este producto no está diseñado para uso comercial.

REEMPLAZO GRATUITO DE LAS ETIQUETAS DE ADVERTENCIAS: si sus etiquetas de advertencia se tornan ilegibles o faltan, llame al **(55)5326-7100** para que se le reemplacen gratuitamente.

Para reparación y servicio de sus herramientas eléctricas, favor de dirigirse al Centro de Servicio más cercano:

CULIACAN, SIN Av. Nicolás Bravo #1063 Sur (667) 7 12 42 11 Col. Industrial Bravo	MONTERREY, N.L. Av. Francisco I. Madero No.831 (81) 8375 2313 Col. Centro	TORREON, COAH Blvd. Independencia, 96 Pte. (871) 716 5265 Col. Centro
GUADALAJARA, JAL Av. La Paz #1779 (33) 3825 6978 Col. Americana Sector Juarez	PUEBLA, PUE 17 Norte #205 (222) 246 3714 Col. Centro	VERACRUZ, VER Prolongación Díaz Mirón #4280 (229)921 7016 Col. Remes
MEXICO, D.F. Eje Central Lázaro Cardenas No. 18 (55) 5588 9377 Local D, Col. Obrera	QUERETARO, QRO Av. Madero 139 Pte. (442) 214 1660 Col. Centro	VILLAHERMOSA, TAB Constitución 516-A (993) 312 5111 Col. Centro
MERIDA, YUC Calle 63 #459-A (999) 928 5038 Col. Centro	SAN LUIS POTOSI, SLP Av. Universidad 1525 (444) 814 2383 Col. San Luis	

PARA OTRAS LOCALIDADES LLAME AL: (55) 5326 7100

Para servicio y ventas consulte “HERRAMIENTAS ELECTRICAS” en la sección amarilla.



IMPORTADOR: BLACK & DECKER S.A. DE C.V.
BOSQUES DE CIDROS ACCESO RADIATAS NO. 42
BOSQUES DE LAS LOMAS, 05120 MEXICO, D.F.
(55) 5326-7100

Especificación	
entrada del cargador: 120 V	salida del cargador: 4,35 V DC
60 Hz	130 mA
3 W	
voltaje de la batería: 3,6 V DC	